

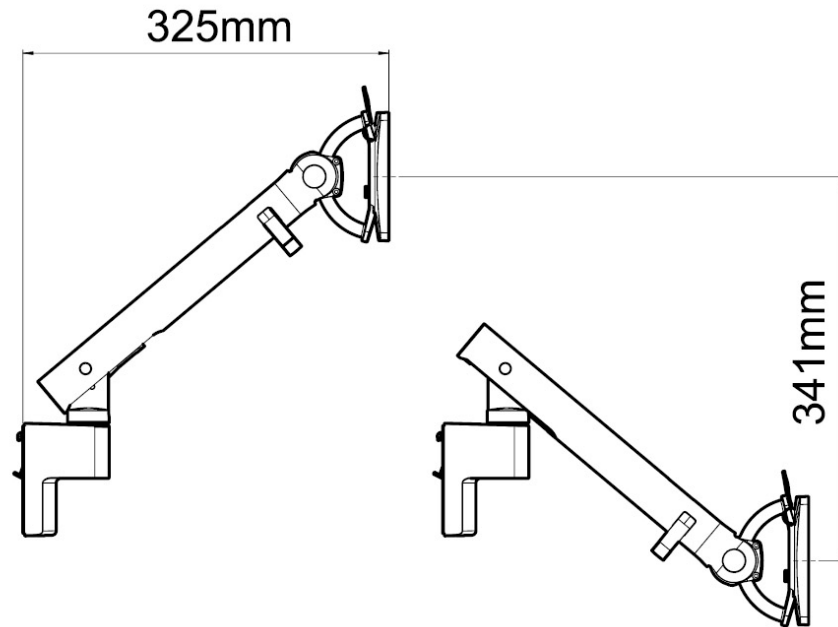


TECHNICAL SPECIFICATION SHEET

PRODUCT NAME Flo Slatwall with Short Arm

PRODUCT CODE DYN/013/005

PRODUCT DATA



KEY FEATURES

- Slatwall bracket with single screw installation to fix to most slatwalls or toolbars
- Simple, environmentally friendly build
- Long life dynamic spring design
- Visual indicator gauge for easy replication when installing multiple arms
- Self balancing head, no need for friction adjustment
- Portrait / landscape screen mounting

Product classification Monitor Arms

Max load 9kg (19.84lbs)

Min load 3kg (6.6lbs)

Horizontal Range 325mm

Vertical Range 341mm

Build level A

Box contents Arm & Quick Release Mount Plate, Allen Key, Monitor Fixing Screws, Adaptor Bracket

Recycled Content 43%

Total Product Recyclable 100%



colebrook bosson saunders



TECHNICAL SPECIFICATION SHEET

PRODUCT NAME Flo Slatwall with Short Arm

PRODUCT CODE DYN/013/005

PRODUCT DATA

LOGISTICAL

Box dims (HxWxD) 400 x 200 x 80 mm

Carton quantity 6

Weight inner 2.2 kg

Master dims (HxWxD) 410 x 410 x 280 mm

Master weight 12.8 kg

Country of origin China

Country of configuration UK

COLOUR

PRODUCT CODE

EAN

Silver

DYN/013/005/S

5060270821847

Black

N/A

N/A

White

DYN/013/005/W

5060270821854

Custom colour

Subject to MOQ

GUARANTEE

Guarantee term Limited Lifetime

Notes Excludes quick release - warranty 2 years

COMPLIANCE & SAFETY CERTIFICATION

Whilst no mandatory standards apply to the monitor arm product sector, all Colebrook Bosson Saunders monitor arms have been designed with appropriate articulation features, dimensional range and adjustability to conform to the requirements of BS EN ISO 9241:5 1999 Ergonomic requirements for office work with visual display terminals (VDTs).

Conformance certification • BS EN ISO 9241:5 1999 Ergonomic Requirements for office work with visual display terminals (VDTs). FIRA certificate of conformance
• FIRA load testing and lifetime fatigue test - PP050. Passed as suitable for 'severe use'
• CE Mark Certified

Test authority FIRA

Safety certification CE

CE EN Refs EN1001 / EN1002 / EN1004



colebrook bosson saunders



TECHNICAL SPECIFICATION SHEET

PRODUCT NAME Flo Slatwall with Short Arm

PRODUCT CODE DYN/013/005

PRODUCT DATA

INTERNAL TEST MEASURES

Test parameter Motion Joint Full-Cycle Load without Failure

Test value 13800 cycles

Test parameter 2 Full Flexure of Middle Joint under Load without Failure

Test value 10.2kg

Test parameter 3 Rotation of Arm on Slatwall through 180° Under Load without Failure

Test value 10.2kg

ENVIRONMENTAL Environmental Values are based on DYN/013/001

Material - Type	Material type weight	% PIR of total weight	% PCR of total weight	% of total product recyclable
Die Cast Aluminium	924 g.	18%	16%	36%
Steel	1229 g.	1%	5%	48%
Plastic	251 g.	0%	0%	10%
Zinc	183 g.	2%	2%	6%
-				
-				
Total	2587 g.	21%	23%	100%

CLEANING STORAGE & MAINTENANCE

Routine servicing Periodic inspection

Service components Available to order

Cleaning & Maintenance Damp cloth, no abrasives, no solvents to be used on the cosmetic surfaces

Handling & Storage Do not drop or expose to moisture

Colebrook Bosson Saunders (Products) Ltd accept no liability for the accuracy of the information contained herein and retain the right to modify the specifications or data contained herein without prior notification

Sheet last modified: 29/05/2013



colebrook bosson saunders