

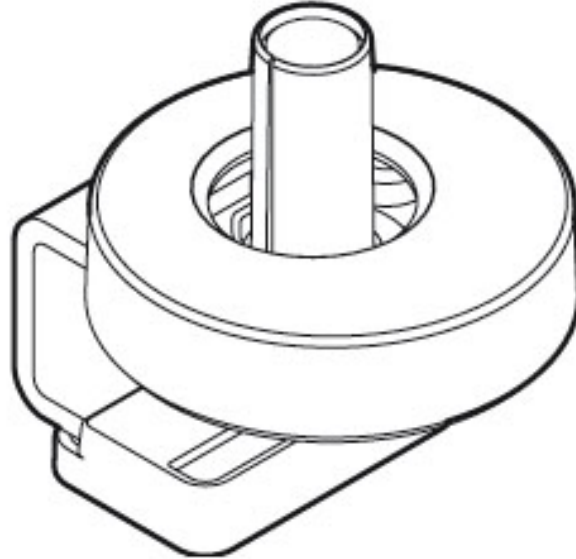


TECHNICAL SPECIFICATION SHEET

PRODUCT NAME Flo Top Mount Clamp

PRODUCT CODE DYN/013/C25

PRODUCT DATA



KEY FEATURES

Suitable for surfaces from 12 to 25mm thick

Product classification Clamps

Max load Dependant on arm

Horizontal Range N/A

Vertical Range 12-25mm

Build level A

Box contents Top Mount Clamp, Fixings

LOGISTICAL

Box dims (HxWxD) 100 x 90 x 80 mm

Carton quantity 30

Weight inner 0.6 kg

Master dims (HxWxD) 505 x 290 x 220 mm

Master weight 19.5 kg

Country of origin UK

Country of configuration China



TECHNICAL SPECIFICATION SHEET

PRODUCT NAME Flo Top Mount Clamp

PRODUCT CODE DYN/013/C25

PRODUCT DATA

COLOUR	PRODUCT CODE	EAN
Silver	DYN/013/C25/S	5060270820994
Black	N/A	N/A
White	DYN/013/C25/W	5060270820598
Custom colour	Subject to MOQ	

GUARANTEE

Guarantee term Unlimited Lifetime

Notes None

CLEANING STORAGE & MAINTENANCE

Routine servicing Periodic inspection

Service components Available to order

Cleaning & Maintenance Damp cloth, no abrasives or solvents to be used on the cosmetic surfaces

Handling & Storage Do not drop or expose to moisture

Colebrook Bosson Saunders (Products) Ltd accept no liability for the accuracy of the information contained herein and retain the right to modify the specifications or data contained herein without prior notification

Sheet last modified: 28/05/2013